

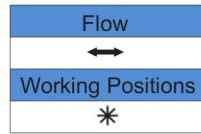
MODEL : GBV-301 | Forged Steel Globe Valve |

Connection : Socked Weld, Screw Class 800, 1500, Flange ANSI 150, 300



VTV VALVE, serving Multi-National end users in a wide range of applications in many industries including:

1. Palm Oil and Refinery Plant
2. Petrochemical
3. Power Plant
4. Oil & Gas Industries
5. Pulp and Papper Mill
6. Heating
7. Cooling System



◆ DESIGN STRUCTURE AND FEATURE

1. Design and manufacture: ANSI B16.34; API 602; BS5352
2. Ends connection
 - SW dimension: ANSI B16.11; JIS B2306
 - Screwed dimension: ANSI B1.20.1 BS21 ; ISO7/1; JIS B0203
3. Valve inspection and test: API 598
4. Material according to AISI/ASTM
5. Body Material: A105; F5; F11; F22; 304L; 316; 316L; LF2
6. Mark: MSS-SP-25

◆ STRUCTURE AND FEATURE

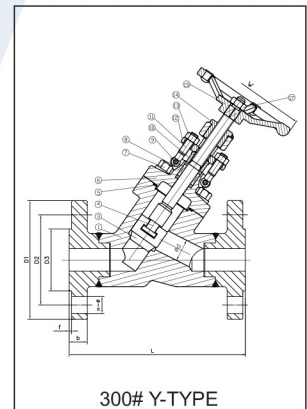
1. Full Bore or Reduced Bore
2. Outside screwed and yoke
3. Bushing type
4. Bolted, fully welded and pressure-in bonnet
5. Integral backseat
6. Disc changeable for choke type, needle type, ball type and check valve

◆ APPLIED NORM

1. Design and manufacture:
 - ASME/ANSI B16.34; API 602; GB/T 12224;
 - GB/F12228; GB/F12225
2. Ends Connection:
 - SW Dimension: ASME/ANSI B16.11; JB/T1761
 - Screwed Dimension : ASME/ANSI B1.201(NPT); GB/T7306-87(RC)
3. Structural feature: B.B or W.B; OS&Y
4. Sealing accessory material: according to "ordering guide"
5. Body material: A105; LF2; F5; F11; F22; F304; F316; F304L; F316L
6. Valve inspection and test according to API 598 or GB/T 13927

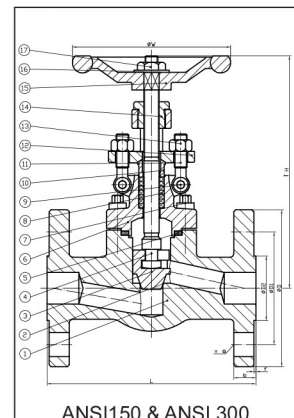
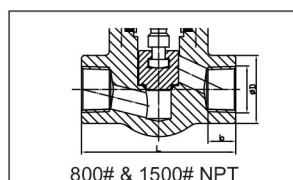
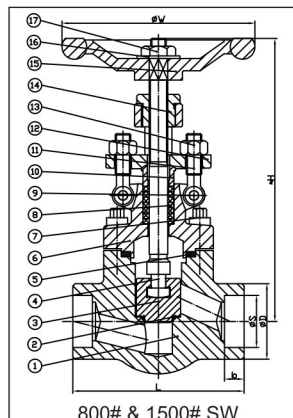
◆ MATERIAL LIST

No.	Parts	Material				
		150#	300#	300# Y-type	800#	1500#
1	Body	ASTM A105N		ASTM A105N + STL	ASTM A105N	
2	Seat Rings	ASTM A105N + 13Cr	ASTM A105N + STELLITE 6	-	ASTM A105N + 13Cr	
3	Disc	ASTM A182 F6a	ASTM A182 F6a + STELLITE 6	ASTM A105N + STL	ASTM A182 F6a	
4	Stem	ASTM A182 F6a			ASTM A182 F6a	
5	Gasket	SS304 Spiral with graphite filler		SS304 Spiral with Flexible graphite	SS304 Spiral with graphite filler	
6	Bonnet	ASTM A105N				
7	Bonnet Bolt	ASTM A193 B7				
8	Gland Packing	GRAPHITE+FIBER		Flexible Graphite	GRAPHITE+FIBER	
9	Pin	CARBON STEEL		ANSI 1025	CARBON STEEL	
10	Gland	ASTM A276 410				
11	Gland Eyebolt	ASTM A193 B7			ASTM A193 B7	
12	Gland Flange	ASTM A105N				
13	Gland Nut	ASTM A194 2H			ASTM A194 2H	
14	Stern nut	ASTM A276 410			ASTM A276 410	
15	Handwheel	DUCTILE IRON		ASTM A197	DUCTILE IRON	
16	Nameplate	SS304				
17	H.W. Lock Nut	CARBON STEEL		AISI 1025	CARBON STEEL	



◆ DIMENSIONS (mm)

DN	1/2"	3/4"	1"	1-1/4"	1-1/2"	2"	
L	150#	152	178	203	216	229	267
	300#	108	117	127	140	165	203
	300#Y-type	152	178	203	216	229	267
	800#	79	92	111	120	152	172
	1500#	111	111	120	152	172	220
b	150#	11.5	13	14.5	16	17.5	19.5
	300#	14.5	16	17.5	19.5	21	22.5
	300#Y-type	14.5	16.3	18	19.5	21	22.5
	800#NPT	16	18	20	22	22	24
	1500#NPT	16	18	20	22	22	24
	800#SW	10	13	13	13	13	16
1500#SW	10	13	13	13	13	16	
h	150#						
	300#	171	173	203	236	250	301
	800#						
	1500#	203	203	236	250	301	345
W	150#						
	300#						
	300#Y-type	100	100	125	160	160	180
	800#						
	1500#	125	125	160	160	180	200
Weight (Kg)	150#	3.4	3.9	6	7.8	10.5	14.7
	300#	3.8	5	7.4	10.3	13.4	20.2
	300#Y-type	3.8	5	7.5	10.2	13.4	20.2
	800#	2.1	2.2	3.6	5.6	6.6	10.4
	1500#	3.7	3.9	5.6	6.6	10.4	19.8



Specification is subject to change without prior notice